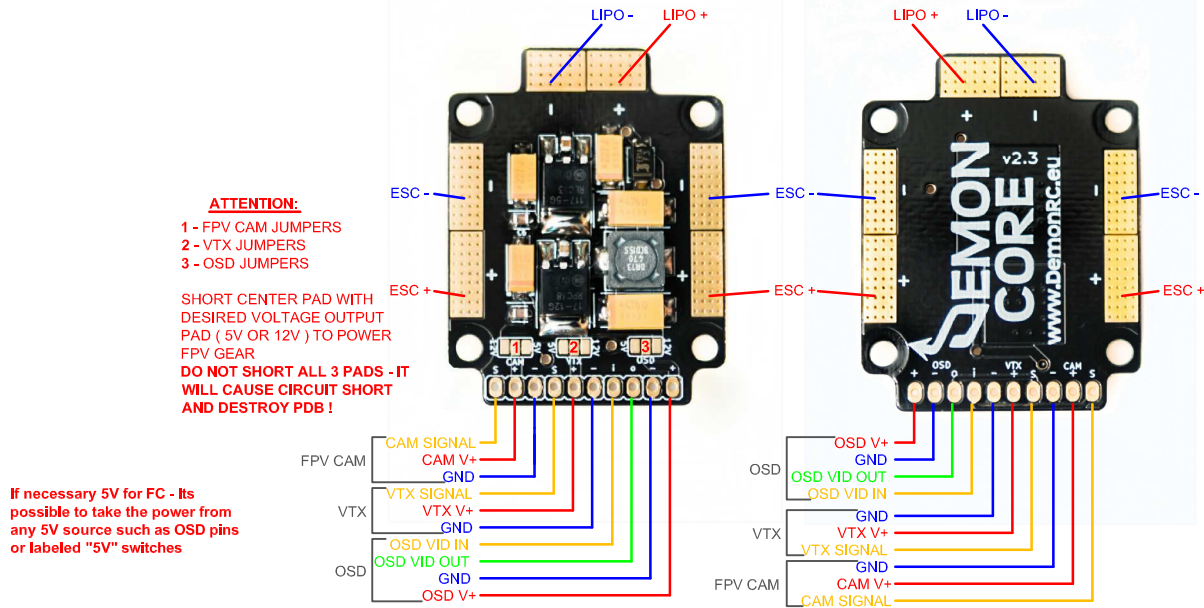
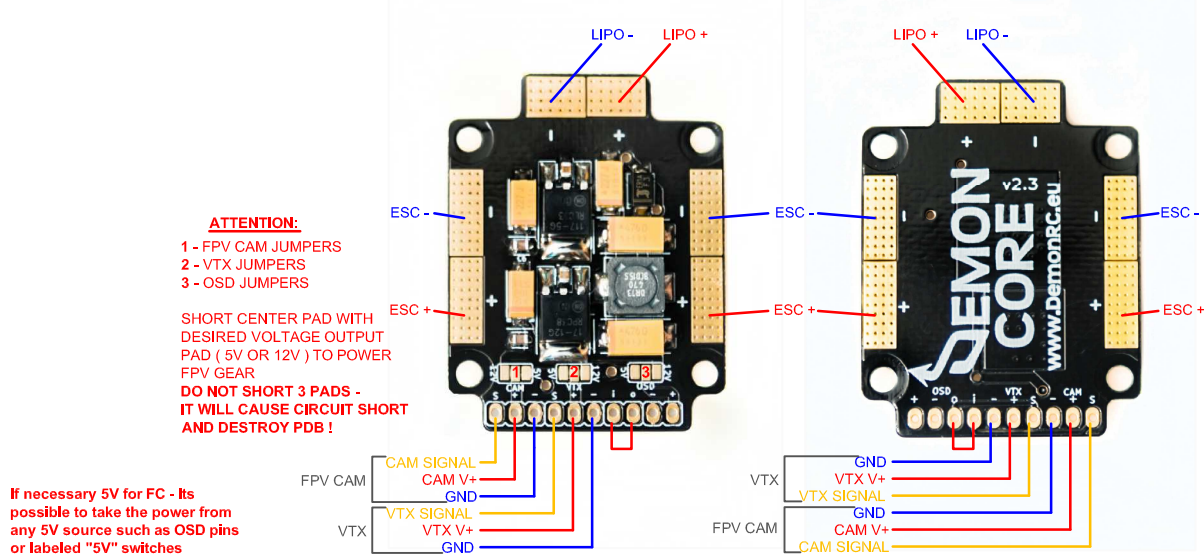


CONNECTION DIAGRAM FOR SYSTEM WITH OSD:



CONNECTION DIAGRAM FOR SYSTEM WITHOUT OSD:



SPECS AND PARAMETERS:

- 40 V rated components (up to 8S capable*)=>
- 120A constant, 180A burst
- Integrated Butterworth LC filter for both lines (5V,12V)
- 12V step down regulator - 1A with cooling, 0.6A without
- 5V step down regulator - 0.7A with cooling, 0.45A without
- 5V/12V switch for CCD board camera (filtered power)
- 5V/12V switch for video transmitter (filtered power)
- 5V/12V switch for OSD (filtered power)
- OSD bypass switch for no-OSD setups
- Shunt for OSD video in/out
- Reverse polarity protection
- Super low profile: 4,5 mm
- Weight: 7,5g

*The higher battery voltage - the lower performance of BEC's respectively:

LIPO	V	5V BEC LOAD LIMITS (A)	12V BEC LOAD LIMITS (A)
		RECOMMENDED WITHOUT COOLING:	RECOMMENDED WITHOUT COOLING:
1S	4.0	-	-
2S	8.0	0.90	-
3S	12.0	0.46	-
4S	16.0	0.33	0.6
5S	20.0	0.21	0.32
6S	24.0	0.16	0.23
7S	28.0	0.13	0.17
8S	32.0	0.11	0.12

Demon Core and similar BEC based power distribution boards are designed for flying. During flying heat dissipation and ventilation are very good. BEC regulators generates plenty amount of heat so If you are using this device statically - unplug all unnecessary 5V and 12V gear in order to keep temperatures as low as possible.